

TX350-NW-2WAY Series

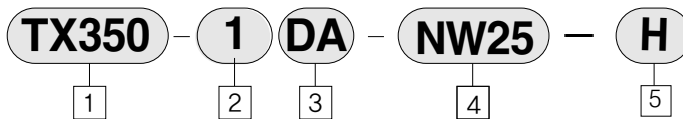
NW TYPE BALL VALVE

Air Operating NW Type Ball Valve



- ISO standard
- Easily maintainable 3-split ball valve
- Highly corrosion proof SCS14 (body)
- Light weight and compact design
- Easy assembly/disassembly during piping and maintenance
- Direct mounting type

How to Order



1 Series(Air operating Ball valve)

2 Actuator Cylinder Size
1 : 50mm
2 : 63mm

3 Actuator Type
DA : Double Acting
RS : Spring return

4 Valve Type & Size

NW25 : Clamp Type
Endcap size : 25 Valve size : 25

NW40 : Clamp Type
Endcap size : 40 Valve size : 40

NW5040 : Clamp Type
Endcap size : 50 Valve size : 40

NW5050 : Clamp Type
Endcap size : 50 Valve size : 50

5 Option

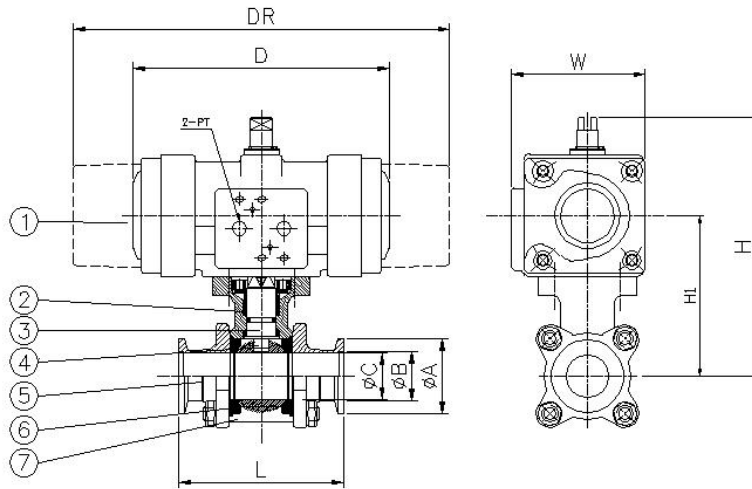
Blank : Standard
H : High temperature value

Product Specifications

Item	Specifications
Fluid	Water, Air, Oil, Gas, Steam
Fluid Temperature	(no freeze)0~80°C
Operating press.	4~7Kg/cm ²
Option	Solenoid Valve AC110V, AC220V, DC24V
	Speed control
	Limit Switch
	Filter Regulator and the other

TX350-NW-2WAY Series

Construction



Parts List

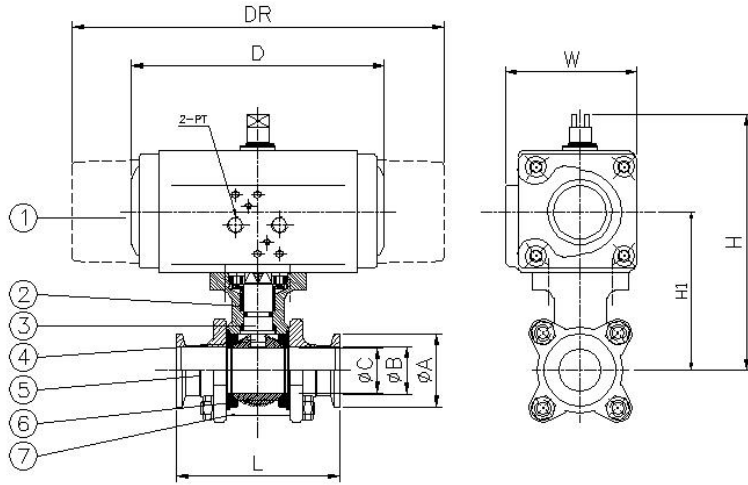
No.	Description	Material
1	ACTUATOR	Die casting
2	PACKING	PTFE
3	STEM	SUS304/SUS316
4	BALL	SUS304/SUS316
5	CAP	SUS13(CF8)/SUS14(CF8M)
6	SEAT	PTFE/RTFE/CARBON
7	VALVE BODY	SUS13(CF8)/SUS14(CF8M)

Dimensions (Die casting)

Model	Connection	Max. pressure (MPa)	Dimension (mm)											Weight (Kg)		
			ØA	ØB	ØC	L	H1	H	D	DR	W	PT	DA	RS		
■ TX350D Double Acting Actuator, Return Spring Actuator																
TX350-1DA-NW25	NW25	1.0	40	26.2	24	89	86.5	139.4	138		72		1.91			
TX350-2DA-NW40	TX350-2RS-NW40 NW40		55	41.2	38	111	106.3	166	187	251	90	1/8	4.09	4.69		
TX350-2DA-NW5040	TX350-2RS-NW5040 NW50-40		75	52.2	38	111	106.3	166	187	251	90		4.16	5.01		
TX350-2DA-NW50	TX350-2RS-NW50 NW50		75	52.2	50.8	150	126.7	186	187	251	90		5.64			

NW TYPE BALL VALVE TX350-NW-2WAY Series

Construction



Parts List

No.	Description	Material
1	ACTUATOR	Drawing
2	PACKING	PTFE
3	STEM	SUS304/SUS316
4	BALL	SUS304/SUS316
5	CAP	SUS13(CF8)/SUS14(CF8M)
6	SEAT	PTFE/RTFE/CARBON
7	VALVE BODY	SUS13(CF8)/SUS14(CF8M)

Dimensions (Drawing)

Model	Connection	Max. pressure (MPa)	Dimension(mm)											Weight(Kg)		
			ØA	ØB	φC	L	H1	H	D	DR	W	PT	DA	RS		
■ TX350D Double Acting Actuator, Return Spring Actuator																
TX350-1DA-NW25	NW25	1.0	40	26.2	24	89	86.5	139.4	138		72	1/8	1.91			
TX350-2DA-NW40	TX350-2RS-NW40		NW40	55	41.2	38	111	106.3	166	187	251		86.7	4.09	4.69	
TX350-2DA-NW5040	TX350-2RS-NW5040		NW50-40	75	52.2	38	111	106.3	166	187	251		86.7	4.16	5.01	
TX350-2DA-NW50	TX350-2RS-NW50		NW50	75	52.2	50.8	150	126.7	186	187	251		86.7	5.64		

TX350-NW-3WAY Series

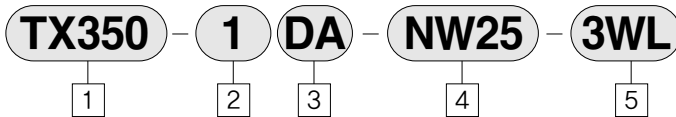
NW Type BALL VALVE

Air Operating NW Type Ball Valve



- ISO standard
- Low Cost Valve
- Strongly corrosion proof SCS14 (body)
- Light weight and compact design
- Uses high-viscosity fluid
- Uses high temperature of up to 180°C
- Easy installation in narrow space

How to Order



1 Series(Air Operating Ball Valve)

2 Actuator Cylinder Size

- 1 : 50mm
- 2 : 63mm

3 Actuator Type

DA : Double Acting

4 Valve Type & Size

NW25 : Clamp Type
Endcap size : 25 Valve size: 25

NW4032 : Clamp Type
Endcap size : 40 Valve size: 32

NW40 : Clamp Type
Endcap size : 40 Valve size: 40

NW5040 : Clamp Type
Endcap size : 50 Valve size: 50

5 Valve(Port) Type

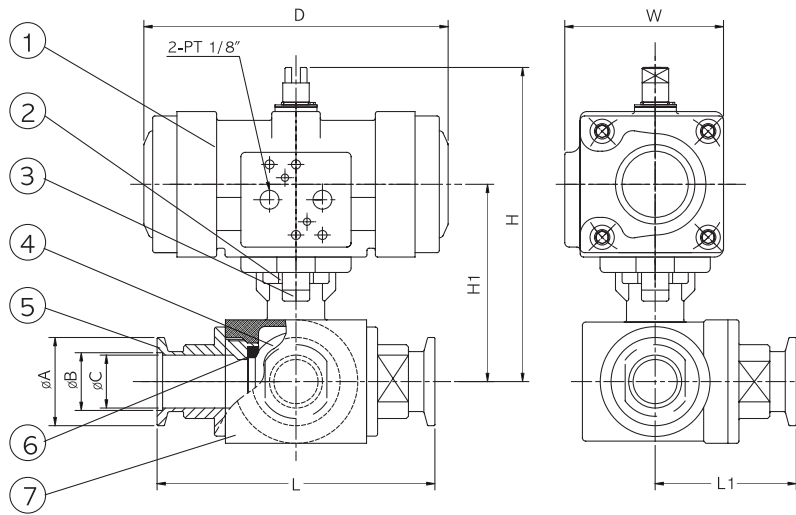
3WL : 3port "L" Type
3WTA : 3port "T" Type
3WTB : 3port "T" Type
3WTC : 3port "T" Type
3WTD : 3port "T" Type

Product Specifications

Item	Specifications
Fluid	Water, Air, Oil, Gas, Steam
Fluid Temperature	(no freeze)0~80°C
Operating press	4~7Kg/cm ²
Option	Solenoid Valve AC110V, AC220V, DC24V
	Speed control
	Limit Switch
	Filter Regulator and the other

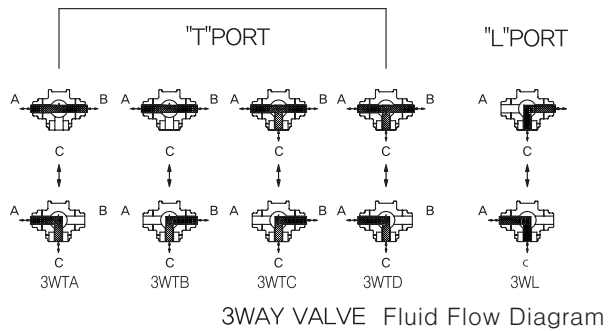
NW Type BALL VALVE TX350-NW-3WAY Series

Construction



Parts List

No.	Description	Material
1	ACTUATOR	Die casting
2	PACKING	PTFE
3	STEM	SUS316
4	BALL	SUS316
5	CAP	SCS14(CF8M)
6	SEAT	RTFE/CARBON
7	VALVE BODY	SCS14(CF8M)

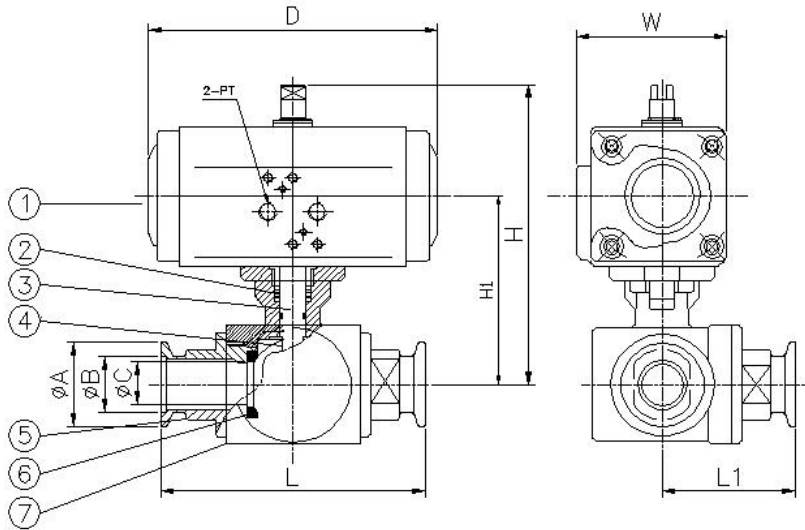


Dimensions (Die casting)

Model	Connection	Max. pressure (MPa)	Dimension(mm)											Weight (Kg)
			ØA	ØB	ØC	L	H1	H	D	DR	W	PT		
■ TX350 Double Acting Actuator														
TX350-1DA-NW25-3W	NW25	1.0	40	26.2	24	126	89.5	142.5	138		72	1/8	2.65	
TX350-2DA-NW40-32-3W	NW40-32		55	41.2	30	150	100	159.5	187		90		5.05	
TX350-2DA-NW40-3W	NW40-40		55	41.2	38	155	119	178.5	187		90		5.95	
TX350-2DA-NW50-3W	NW50-40		75	52.2	38	159	113	173	187		90		6.15	

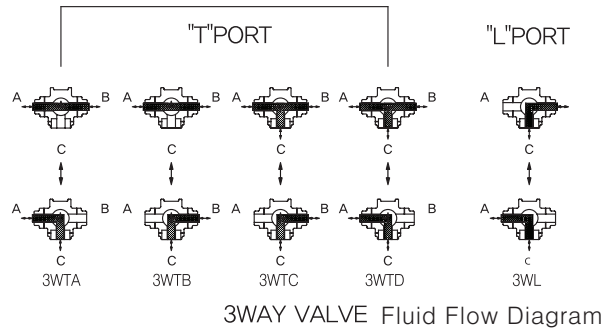
TX350-NW-3WAY Series

Construction



Parts List

No.	Description	Material
1	ACTUATOR	Drawing
2	PACKING	PTFE
3	STEM	SUS316
4	BALL	SUS316
5	CAP	SCS14(CF8M)
6	SEAT	RTFE/CARBON
7	VALVE BODY	SCS14(CF8M)



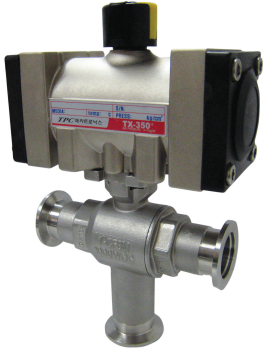
Dimensions (Drawing)

Model	Connection	Max. pressure (MPa)	Dimension(mm)										Weight (Kg)
			ØA	ØB	ØC	L	H1	H	D	DR	W	PT	
■ TX350 Double Acting Actuator													
TX350-1DA-NW25-3W	NW25	1.0	40	26.2	24	126	89.5	142.5	138		72	1/8	2.65
TX350-2DA-NW40-32-3W	NW40-32		55	41.2	30	150	100	159.5	187		86.7		5.05
TX350-2DA-NW40-3W	NW40-40		55	41.2	38	155	119	178.5	187		86.7		5.95
TX350-2DA-NW50-3W	NW50-40		75	52.2	38	159	113	173	187		86.7		6.15

TX350-NW-3W-BOTTOM Series

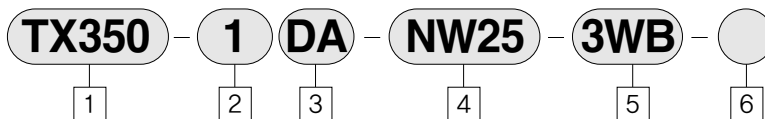
3WAY BALL VALVE

Air Operating NW Type Ball Valve



- Meets ISO standard
- Low Cost Valve
- Strongly corrosion proof SCS14 (body)
- Light weight and compact design
- Uses high-viscosity fluid
- Uses high temperature of up to 180°C

How to Order



1 Series(Air Operating Ball Valve)

2 Actuator Cylinder Size
1 : 50mm
2 : 63mm

3 Actuator Type
DA : Double Acting
RS : Spring return

4 Valve Type & Size
NW25 : Clamp Type
Endcap size : 25 Valve size: 25

NW40 : Clamp Type
Endcap size : 40 Valve size: 40

5 Valve Port Type
3WB : Bottom
※ See the flow chart of 3-way valve fluid on page 78.

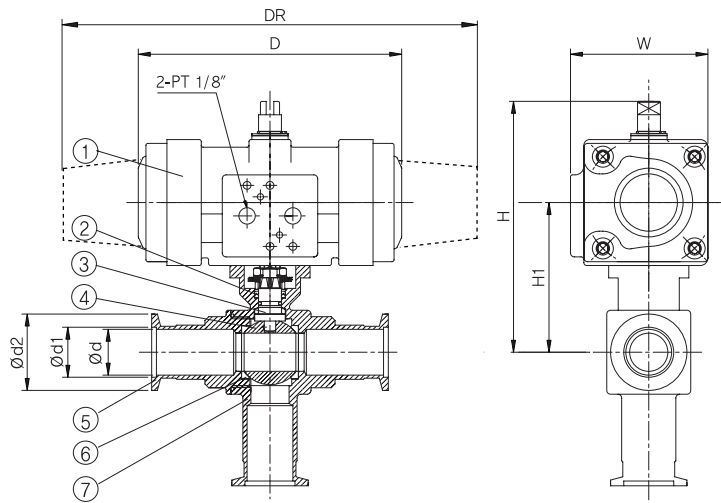
6 Option
Blank : Standard
H : High temperature Valve

Product Specifications

Item	Specifications
Fluid	Water, Air, Oil, Gas, Steam
Fluid Temperature	(no freeze)0~80°C / High temperature Replacement seat(0~230°C)
Operating press	4~7Kg/cm ²
Option	Solenoid Valve AC110V, AC220V, DC24V
	Speed control
	Limit Switch
	Filter Regulator and the other

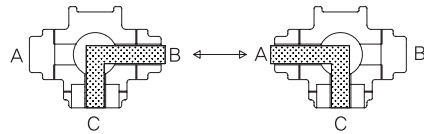
TX350-NW-3W-BOTTOM Series

Construction



Parts List

No.	Description	Material
1	ACTUATOR	Die casting
2	PACKING	RTFE
3	STEM	SCS304/SCS316
4	BALL	SCS304/SCS316
5	CAP	SCS13(CF8)/SCS14(CF8M)
6	SEAT	PTFE/RTFE/CARBON
7	VALVE BODY	SCS13(CF8)/SCS14(CF8M)



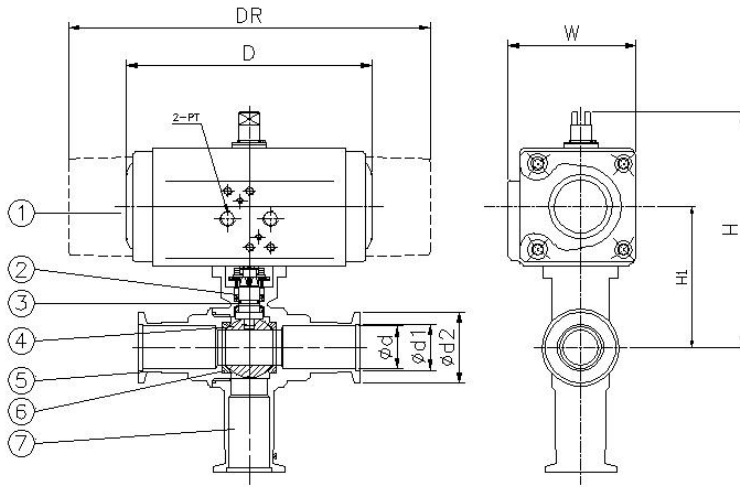
Fluid Flow Diagram

Dimensions (Die casting)

Model	Connection	Max. pressure (MPa)	Dimension (mm)											Weight (Kg)		
			Ød2	Ød1	Ød	L	H1	H	D	DR	W	PT	DA	RS		
■ TX350 Double Acting Actuator, Return Spring Actuator																
TX350-1DA-NW25-3WB	TX350-1RS-NW25-3WB	NW25	1.0	24	26.2	40	124	78.5	131.5	138	203	72	1/8	1.82	2.22	
TX350-2DA-NW40-3WB	TX350-2RS-NW40-3WB	NW40		38	41.2	55	138	102.5	163	187	251	90		3.74	4.56	

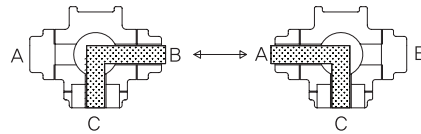
3WAY BALL VALVE TX350-NW-3W-BOTTOM Series

Construction



Parts List

No.	Description	Material
1	ACTUATOR	Drawing
2	PACKING	RTFE
3	STEM	SUS304/SUS316
4	BALL	SUS304/SUS316
5	CAP	SUS13(CF8)/SUS14(CF8M)
6	SEAT	PTFE/RTFE/CARBON
7	VALVE BODY	SUS13(CF8)/SUS14(CF8M)



Fluid Flow Diagram

Dimensions (Drawing)

Model	Connection	Max. pressure (MPa)	Dimension (mm)											Weight (Kg)		
			$\phi d2$	$\phi d1$	ϕd	L	H1	H	D	DR	W	PT	DA	RS		
■ TX350 Double Acting Actuator, Return Spring Actuator																
TX350-1DA-NW25-3WB	TX350-1RS-NW25-3WB	NW25	1.0	24	26.2	40	124	78.5	131.5	138	203	72	1/8	1.82	2.22	
TX350-2DA-NW40-3WB	TX350-2RS-NW40-3WB	NW40		38	41.2	55	138	102.5	163	187	251	86.7		3.74	4.56	